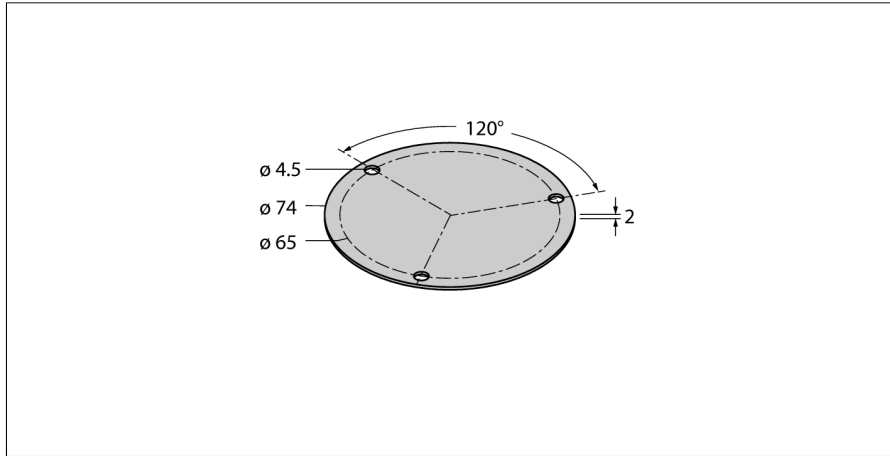


**Shielding plate  
for inductive encoders QR24  
SP1-QR24**



- Positioning element
- Hollow shaft, internal diameter 6 mm
- Incl. mounting option for shaft adapter

<b>Type designation</b>	SP1-QR24
Ident-No.	1590938

<b>Housing material</b>	Aluminium
Packaging unit	1